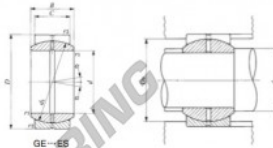


## Rotulas GE GE200ES-IKO - GE200ES-IKO

<https://www.123rodamiento.es/rodamiento-cojinete/rotulas/ge/ge200es-iko>

**IKO**  
**SPHERICAL BUSHINGS**  
Steel-on-steel Spherical Bushings



Shaft dia. mm	Identification number		Mass (Ref.) kg	Boundary dimensions mm						Permissible tilting angle degree			
	Without seals	With seals		d	D	B	C	d <sub>s</sub>	r <sub>1</sub> (1)	r <sub>2</sub> (1)	α	α <sub>1</sub>	
200	GE 200ES		26.1	200	290	130	100	250	1.1	1.1	7	6	
Mounting dimensions mm		Dynamic load capacity C <sub>d</sub>		Static load capacity C <sub>s</sub>									
d <sub>s</sub>		D <sub>s</sub>		N		N							
Min.	Max.(2)	Min.	Max.	Min.	Max.	Min.	Max.						
207	213.5	283	244	2 450 000	14 700 000								

Notes (1) Minimum allowable value of chamfer dimensions r<sub>1</sub> and r<sub>2</sub>.  
(2) When Spherical Bushings are used with full tilting angle, the shaft shoulder dimension must be less than the maximum value of d<sub>s</sub>.  
Remark: 1. The inner ring and the outer ring have an oil groove and two oil holes, respectively.  
2. Not provided with prepacked grease. Perform proper lubrication for use.

## CARACTERÍSTICAS DEL PRODUCTO

Marca	IKO
Nº Ean13	3663952392073
Diámetro interior	200 mm
Diámetro exterior	290 mm
Espesor	130 mm
Tipo	GE
Lubricación	sin
Envasado	1

[contacto@123rodamiento.es](mailto:contacto@123rodamiento.es)

911 436 830

CRT4 de Lesquin 60 Rue Du Haut De Sainghin 59273 Fretin FRANCE