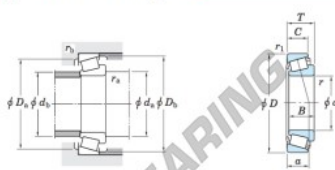


Rodamiento conico 28158-28300-JTEKT - 28158-28300-KOYO

<https://www.123rodamiento.es/rodamiento-cojinete/rodamiento-rodillos/conico/28158-28300-koyo>

Single-row tapered roller bearings
Inch series



Boundary dimensions (mm)							Basic load ratings (kN)		Limiting speeds (min ⁻¹)	
d	D	T	B	C	r_a max.	r_b max.	C_r	C_{10}	Grease lub.	Oil lub.
40.000	76.200	20.638	20.940	19.607	1.6	1.2	57.3	65.9	5 300	7 000

Bearing No.		Load center (mm) a	Mounting dimensions (mm)						Constant e	Axial load factors		(Refer.) Mass (kg)	
Inner ring	Outer ring		d_a	d_b	D_a	D_b	r_a max.	r_b max.		Y_1	Y_2	Inner ring	Outer ring
28158	28300	16.5	47.5	45.0	68.0	71.0	1.6	1.2	0.40	1.49	0.82	0.266	0.137

CARACTERÍSTICAS DEL PRODUCTO

Marca	JTEKT
N° Ean13	4549250107252
Diámetro interior	40 mm
Diámetro exterior	76.2 mm
Espesor	20.638 mm
Peso	412 g
Envasado	1

contacto@123rodamiento.es

911 436 830

CRT4 de Lesquin 60 Rue Du Haut De Sainghin 59273 Fretin FRANCE