

Rotulas SA SSAL8-T-K-DURBAL - DSSAL8-T-K-DURBAL

<https://www.123rodamiento.es/rodamiento-cojinete/rotulas/sa/dssal8-t-k-durbal>

SSAL8-T-K



male thread: maintenance free, according to DIN ISO 12240-4, series K, in stainless steel

Description: DIN ISO rod end K series. Made of spherical plain bearing DG...PW pressed into rod end body. Sliding combination steel / bronze-PTFE composite.

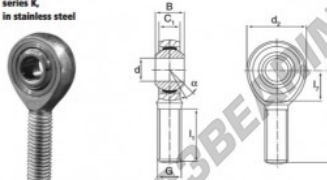
rod end body: stainless steel

Sliding combination: steel / bronze-PTFE composite

inner ring: stainless steel, hardened and ground

Outer ring: stainless steel body pressed around, outer race lined with bronze-PTFE composite

Lubrication: maintenance free



order number		measurement [mm]				
right hand thread	left hand thread	d	G	B	C1	d2
SSAL 8 T/K		8	M 8	12	9,00	24

type	measurement [mm]		h	alpha [°]	load rating C0 [kN]	weight [kg]
	l1 min	l2 min				
SSA / SSAL 8 T/K	25	42	14		12,9	0,038

CARACTERÍSTICAS DEL PRODUCTO

Marca	DURBAL
N° Ean13	3663952490632
Diámetro interior	8 mm
Diámetro exterior	24 mm
Espesor	12 mm
Tipo	SA
Peso	38 g
Hilo	Rosca izquierda
Lubricación	sin
Envasado	1

contacto@123rodamiento.es

911 436 830

CRT4 de Lesquin 60 Rue Du Haut De Sainghin 59273 Fretin FRANCE