

Rotulas SA SSAL16-T-K-DURBAL - SSAL16-T-K-DURBAL

<https://www.123rodamiento.es/rodamiento-cojinete/rotulas/sa/ssal16-t-k-durbal>

SSAL16-T-K



male thread: maintenance free, according to DIN ISO 12240-4, series K, in stainless steel

Description: DIN ISO rod end K series. Made of spherical plain bearing DG...PW pressed into rod end body. Sliding combination steel / bronze-PTFE composite.

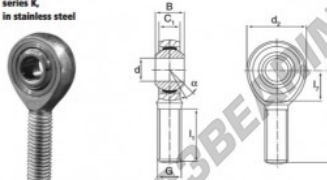
Red end body: stainless steel

Sliding combination: steel / bronze-PTFE composite

Inner ring: stainless steel, hardened and ground

Outer ring: stainless steel body pressed around, outer race lined with bronze-PTFE composite

Lubrication: maintenance free



order number	d	G	B	C1	d2
SSAL 16 T/K	16	M 16	21	15,00	42

type	measurement [mm]			alpha [°]	load rating C0 [kN]	weight [kg]
	l1 min	l2 min	h			
SSA / SSAL 16 T/K	37	21	66	15	39,0	0,210

CARACTERÍSTICAS DEL PRODUCTO

Marca	DURBAL
Nº Ean13	3663952490793
Diámetro interior	16 mm
Diámetro exterior	42 mm
Espesor	21 mm
Tipo	SA
Peso	210 g
Hilo	Rosca izquierda
Lubricación	sin
Envasado	1

contacto@123rodamiento.es

911 436 830

CRT4 de Lesquin 60 Rue Du Haut De Sainghin 59273 Fretin FRANCE