

# Rotulas SA

## SSAL18-T-K-DURBAL - SSAL18-T-K-DURBAL

<https://www.123rodamiento.es/rodamiento-cojinete/rotulas/sa/ssal18-t-k-durbal>

### SSAL18-T-K



**male thread:** maintenance free, according to DIN ISO 12240-4, series K, in stainless steel

**Description:** DIN ISO rod end K series. Made of spherical plain bearing DG...PW pressed into rod end body. Sliding combination steel / bronze-PTFE composite.

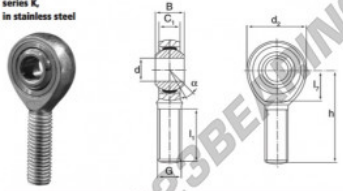
**rod end body:** stainless steel

**Sliding combination:** steel / bronze-PTFE composite

**inner ring:** stainless steel, hardened and ground

**Outer ring:** stainless steel body pressed around, outer race lined with bronze-PTFE composite

**Lubrication:** maintenance free



order number	d	G	B	C1	d2
SSAL 18 T/K	18	M 18 x 1,5	23	16,50	44

type	measurement [mm]		h	alpha [°]	load rating C0 [kN]	weight [kg]
	l1 min	l2 min				
SSA / SSAL 18 T/K	41	22	72	15	47,5	0,280

## CARACTERÍSTICAS DEL PRODUCTO

Marca	DURBAL
N° Ean13	3663952490823
Diámetro interior	18 mm
Diámetro interior	0.709" inch
Diámetro exterior	44 mm
Diámetro exterior	1.732" inch
Espesor	23 mm
Espesor	0.906" inch
Tipo	SA
Peso	280 g
Hilo	Rosca izquierda
Lubricación	sin
Envasado	1

[contacto@123rodamiento.es](mailto:contacto@123rodamiento.es)

911 436 830

CRT4 de Lesquin 60 Rue Du Haut De Sainghin 59273 Fretin FRANCE