

Rotulas SA SSAL25-T-K-DURBAL - SSAL25-T-K-DURBAL

<https://www.123rodamiento.es/rodamiento-cojinete/rotulas/sa/ssal25-t-k-durbal>

SSAL25-T-K



male thread: maintenance free, according to DIN ISO 12240-4, series K, in stainless steel

Description: DIN ISO rod end K series. Made of spherical plain bearing DG...PW pressed into rod end body. Sliding combination steel / bronze-PTFE composite.

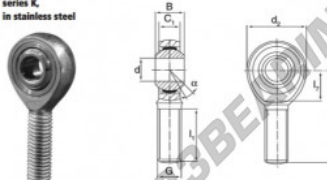
rod end body: stainless steel

Sliding combination: steel / bronze-PTFE composite

inner ring: stainless steel, hardened and ground

Outer ring: stainless steel body pressed around, outer race lined with bronze-PTFE composite

Lubrication: maintenance free



order number	d	G	B	C1	d2
SSAL 25 T/K	25	M 24 x 2	31	22,00	60

type	measurement [mm]			alpha [°]	load rating C0 [kN]	weight [kg]
	l1 min	l2 min	h			
SSA / SSAL 25 T/K	55	30	94	15	85,0	0,640

CARACTERÍSTICAS DEL PRODUCTO

Marca	DURBAL
Nº Ean13	3663952490953
Diámetro interior	25 mm
Diámetro interior	0.984" inch
Diámetro exterior	60 mm
Diámetro exterior	2.362" inch
Espesor	31 mm
Espesor	1.22" inch
Tipo	SA
Peso	640 g
Hilo	Rosca izquierda
Lubricación	sin
Envasado	1

contacto@123rodamiento.es

911 436 830

CRT4 de Lesquin 60 Rue Du Haut De Sainghin 59273 Fretin FRANCE