

# Rotulas SI

## SSI14-T-K-DURBAL - SSI14-T-K-DURBAL

<https://www.123rodamiento.es/rodamiento-cojinete/rotulas/si/ssi14-t-k-durbal>

### SSI14-T-K



**female thread:** maintenance free, according to DIN ISO 12240-4, series K, in stainless steel

**Description:** DIN ISO rod end K series. Made of spherical plain bearing DG...PW pressed into rod end body. Sliding combination steel / bronze-PTFE composite.

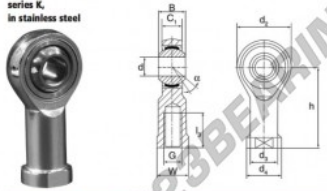
**Red end body:** stainless steel

**Sliding combination:** steel / bronze-PTFE composite

**Inner ring:** stainless steel, hardened and ground

**Outer ring:** stainless steel body pressed around, outer race lined with bronze-PTFE composite

**Lubrication:** maintenance free



order number	right hand thread	left hand thread	measurement [mm]							
SSI 14 T/K			d	G	B	C <sub>1</sub>	d <sub>1</sub>	d <sub>2</sub>	d <sub>3</sub>	d <sub>4</sub>
			14	M 14	19	13,50	36	20,0	25	

type	measurement [mm]				load rating C <sub>0</sub> [kN]	weight [kg]
	l <sub>1</sub> min	W	h	α [°]		
SSI / SSI 14 T/K	25	22	57	16	31,0	0,160

## CARACTERÍSTICAS DEL PRODUCTO

Marca	DURBAL
N° Ean13	3663952491363
Diámetro interior	14 mm
Diámetro exterior	36 mm
Espesor	19 mm
Tipo	SI
Peso	160 g
Hilo	Rosca derecha
Lubricación	sin
Envasado	1

[contacto@123rodamiento.es](mailto:contacto@123rodamiento.es)

911 436 830

CRT4 de Lesquin 60 Rue Du Haut De Sainghin 59273 Fretin FRANCE