

Rotulas SA SAZP4-S-DURBAL - SAZP4-S-DURBAL

<https://www.123rodamiento.es/rodamiento-cojinete/rotulas/sa/sazp4-s-durbal>

SAZP4-S



male thread:
lubrication required, similar to DIN ISO 12240-4; series R, measurement in inches

Description: DIN ISO rod end K series. Dimensions in inch. Sliding combination steel / heavy duty bronze. With grease nipple.

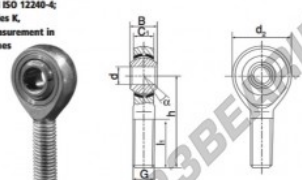
Rod end body:
surface zinc plated

Sliding combination:
steel / heavy duty bronze

Inner ring:
bearing steel, hardened, ground and spherical surface chromium plated

Outer ring:
heavy duty bronze with lubrication

Lubrication:
lubrication required, with grease nipple



order number		measurement [mm]	
right hand thread	left hand thread	d	G
SAZP 4 S		4,83	10 - 32

type	inches	measurement [mm]		load rating C ₀ [kN]	weight [g]
		l ₁ min	h		
SAZP / SAZPL 4 S		19,05	31,75	10	3,8

CARACTERÍSTICAS DEL PRODUCTO

Marca	DURBAL
Nº Ean13	3663952495989
Diámetro interior	4.83 mm
Diámetro exterior	15.88 mm
Espesor	7.92 mm
Tipo	SA
Peso	13 g
Hilo	Rosca derecha
Lubricación	sin
Envasado	1

contacto@123rodamiento.es

911 436 830

CRT4 de Lesquin 60 Rue Du Haut De Sainghin 59273 Fretin FRANCE