

# Rotulas SA SAZPL6-S-DURBAL - SAZPL6-S-DURBAL

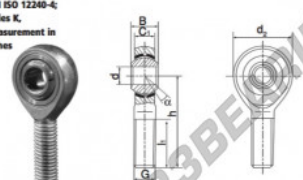
<https://www.123rodamiento.es/rodamiento-cojinete/rotulas/sa/sazpl6-s-durbal>

## SAZPL6-S



male thread:  
lubrication  
required,  
similar to  
DIN ISO 12240-4:  
series R,  
measurement in  
inches

**Description:** DIN ISO rod end K series. Dimensions in inch. Sliding combination steel / heavy duty bronze. With grease nipple.



rod end body:  
surface zinc plated

Sliding combination:  
steel / heavy duty bronze

inner ring:  
bearing steel, hardened, ground and  
spherical surface chromium plated

Outer ring:  
heavy duty bronze with lubrication

Lubrication:  
lubrication required, with grease nipple

order number		measurement [mm]	
right hand thread	left hand thread	d	G
SAZPL 6 S		6,35	1/4 - 28
			B
			C1
			d2
			19,05

type	inches	measurement [mm]		load rating	weight
		l min	h	C0 [kN]	lbfj
SAZP / SAZPL 6 S	1 / 4 "	25,40	39,67	13	6,6
					0,022

## CARACTERÍSTICAS DEL PRODUCTO

Marca	DURBAL
Nº Ean13	3663952496023
Diámetro interior	6.35 mm
Diámetro exterior	19.05 mm
Espesor	9.53 mm
Tipo	SA
Peso	22 g
Hilo	Rosca izquierda
Lubricación	sin
Envasado	1

[contacto@123rodamiento.es](mailto:contacto@123rodamiento.es)

911 436 830

CRT4 de Lesquin 60 Rue Du Haut De Sainghin 59273 Fretin FRANCE