

Rotulas SA SAZP6-S-DURBAL - SAZP6-S-DURBAL

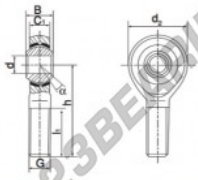
<https://www.123rodamiento.es/rodamiento-cojinete/rotulas/sa/sazp6-s-durbal>

SAZP6-S



male thread:
lubrication
required,
similar to
DIN ISO 12240-4:
series R,
measurement in
inches

Description: DIN ISO rod end K series. Dimensions in inch. Sliding combination steel / heavy duty bronze. With grease nipple.



rod end body:
surface zinc plated

Sliding combination:
steel / heavy duty bronze

inner ring:
bearing steel, hardened, ground and
spherical surface chromium plated

Outer ring:
heavy duty bronze with lubrication

Lubrication:
lubrication required, with grease nipple

order number		measurement [mm]	
right hand thread	left hand thread	d	G
SAZP 6 S		6,35	1/4 - 28
			B
			9,53
			C1
			7,14
			d2
			19,05

type	inches	measurement [mm]		load rating	weight
		l min	h	C0 [kN]	W [g]
SAZP / SAZPL 6 S	1 / 4 "	25,40	39,67	13	6,6

CARACTERÍSTICAS DEL PRODUCTO

Marca	DURBAL
Nº Ean13	3663952496030
Diámetro interior	6.35 mm
Diámetro interior	1/4" inch
Diámetro exterior	19.05 mm
Diámetro exterior	3/4" inch
Espesor	9.53 mm
Espesor	3/8" inch
Tipo	SA
Peso	22 g
Hilo	Rosca derecha
Lubricación	sin
Envasado	1

contacto@123rodamiento.es

911 436 830

CRT4 de Lesquin 60 Rue Du Haut De Sainghin 59273 Fretin FRANCE