

Rotulas SA SAZPL7-S-DURBAL - SAZPL7-S-DURBAL

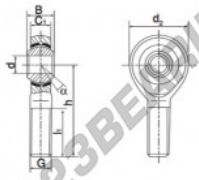
<https://www.123rodamiento.es/rodamiento-cojinete/rotulas/sa/sazpl7-s-durbal>

SAZPL7-S



male thread:
lubrication
required,
similar to
DIN ISO 12240-4:
series R,
measurement in
inches

Description: DIN ISO rod end K series. Dimensions in inch. Sliding combination steel / heavy duty bronze. With grease nipple.



Rod end body:
surface zinc plated

Sliding combination:
steel / heavy duty bronze

Inner ring:
bearing steel, hardened, ground and
spherical surface chromium plated

Outer ring:
heavy duty bronze with lubrication

Lubrication:
lubrication required, with grease nipple

order number		measurement [mm]	
right hand thread	left hand thread	d	G
SAZPL 7 S		7,94	5716 - 24
			11,10
			8,74
			22,23

type	inches	measurement [mm]		load rating	weight
		l min	h	C ₀ [kN]	W [g]
SAZP / SAZPL 7 S	5 / 16 "	31,75	47,63	10	8,4
					0,037

CARACTERÍSTICAS DEL PRODUCTO

Marca	DURBAL
Nº Ean13	3663952496078
Diámetro interior	7.94 mm
Diámetro exterior	22.23 mm
Espesor	11.1 mm
Tipo	SA
Peso	37 g
Hilo	Rosca izquierda
Lubricación	sin
Envasado	1

contacto@123rodamiento.es

911 436 830

CRT4 de Lesquin 60 Rue Du Haut De Sainghin 59273 Fretin FRANCE