


Rotulas GE SI12-E-DURBAL - SI12-E-DURBAL

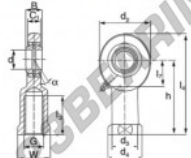
<https://www.123rodamiento.es/rodamiento-cojinete/rotulas/ge/si12-e-durbal>


SI12-E

female thread;
lubrication
required,
according to
DIN ISO 12240-4;
series E



Description: DIN ISO rod end E series. Made of spherical plain bearing DGE...E (ES) pressed into rod end body. Sliding combination steel / steel. Maintenance necessary. Bore diameter $d \geq 15$ with grease nipple in rod end body and lubrication groove and hole in inner and outer ring. Bore diameter $d \geq 15$ type DSI...ES-2RS with additional seals also available.





Sliding combination:
steel / steel

Inner ring:
bearing steel, hardened, ground and phosphated

Outer ring:
bearing steel, hardened, ground and phosphated

Lubrication:
lubrication required

order number		measurement (mm)						
right hand thread	left hand thread	d	G	B	C1	d2	d3	d4
SI 12 E		12	M 12	10	8,0	34	17,5	22

type	measurement [mm]				load rating C ₀ [kN]	weight [kg]
	l ₁ min	W	h	α [°]		
SI / SI12 E	23	19	50	11	24,5	0,096

CARACTERÍSTICAS DEL PRODUCTO

Marca	DURBAL
Nº Ean13	3616060468000
Diámetro interior	12 mm
Diámetro exterior	34 mm
Espesor	10 mm
Tipo	GE
Peso	96 g
Hilo	Rosca derecha
Lubricación	con
Envasado	1

contacto@123rodamiento.es

911 436 830

CRT4 de Lesquin 60 Rue Du Haut De Sainghin 59273 Fretin FRANCE