

Rotulas SI SI20-ES-DURBAL - SI20-ES-DURBAL

<https://www.123rodamiento.es/rodamiento-cojinete/rotulas/si/si20-es-durbal>

SI20-ES



female thread;
lubrication
required,
according to
DIN ISO 12240-4;
series E

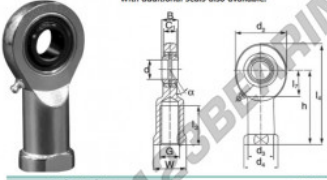
Description: DIN ISO rod end E series. Made of spherical plain bearing DGE...E (ES) pressed into rod end body. Sliding combination steel / steel. Maintenance necessary. Bore diameter $d \geq 15$ with grease nipple in rod end body and lubrication groove and hole in inner and outer ring. Bore diameter $d \geq 15$ type DSI...ES-2RS with additional seals also available.

Sliding combination:
steel / steel

Inner ring:
bearing steel, hardened, ground and phosphated

Outer ring:
bearing steel, hardened, ground and phosphated

Lubrication:
lubrication required



order number		measurement [mm]	
right hand thread	left hand thread	d	G
SI 20 ES		20	M 20 x 1.5

type	measurement [mm]			α [°]	load rating C_0 [kN]	weight [kg]
	l_1 min	W	h			
SI / SIL 20 ES	40	32	77	9	60,0	0,35

CARACTERÍSTICAS DEL PRODUCTO

Marca	DURBAL
N° Ean13	3663952497112
Diámetro interior	20 mm
Diámetro interior	0.787" inch
Diámetro exterior	53 mm
Diámetro exterior	2.087" inch
Espesor	16 mm
Espesor	0.63" inch
Tipo	SI
Peso	350 g
Hilo	Rosca derecha
Lubricación	con
Envasado	1

contacto@123rodamiento.es

911 436 830

CRT4 de Lesquin 60 Rue Du Haut De Sainghin 59273 Fretin FRANCE