

Rotulas SI SI80-ES-DURBAL - SI80-ES-DURBAL

<https://www.123rodamiento.es/rodamiento-cojinete/rotulas/si/si80-es-durbal>

SI80-ES



female thread;
lubrication
required,
according to
DIN ISO 12240-4;
series E

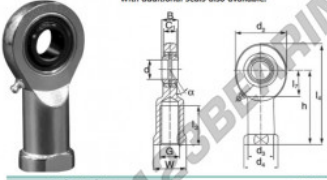
Description: DIN ISO rod end E series. Made of spherical plain bearing DGL...E (ES) pressed into rod end body. Sliding combination steel / steel. Maintenance necessary. Bore diameter $d \geq 15$ with grease nipple in rod end body and lubrication groove and hole in inner and outer ring. Bore diameter $d \geq 15$ type DSI...ES-2RS with additional seals also available.

Sliding combination:
steel / steel

Inner ring:
bearing steel, hardened, ground and phosphated

Outer ring:
bearing steel, hardened, ground and phosphated

Lubrication:
lubrication required



order number		measurement (mm)									
right hand thread	left hand thread	d	G	B	C1	d2	d3	d4	h	W	l1 min
SI 80 ES		80	M 64 x 4	55	47,0	180	95,0	110			

type	measurement [mm]			α [°]	load rating C_0 [kN]	weight [kg]
	l_1 min	W	h			
SI / SIL 80 ES	85	100	230	6	750,0	12,0

CARACTERÍSTICAS DEL PRODUCTO

Marca	DURBAL
N° Ean13	3663952497792
Diámetro interior	80 mm
Diámetro interior	3.15" inch
Diámetro exterior	180 mm
Diámetro exterior	7.087" inch
Espesor	55 mm
Espesor	2.165" inch
Tipo	SI
Peso	12000 g
Hilo	Rosca derecha
Lubricación	con
Envasado	1

contacto@123rodamiento.es

911 436 830

CRT4 de Lesquin 60 Rue Du Haut De Sainghin 59273 Fretin FRANCE