

Rotulas SA SAL6-E-DURBAL - SAL6-E-DURBAL

<https://www.123rodamiento.es/rodamiento-cojinete/rotulas/sa/sal6-e-durbal>

SAL6-E



male thread: lubrication is necessary, according to DIN ISO 12240-4, series E

Description: DIN ISO rod end E series. Made of spherical plain bearing DGE...E (ES) pressed into rod end body. Sliding combination steel / steel. Maintenance necessary. Bore diameter $d \geq 15$ with grease nipple in rod end body and lubrication groove and hole in inner and outer ring. Bore diameter $d \geq 15$ type DSA...ES-2RS with additional seals also available.

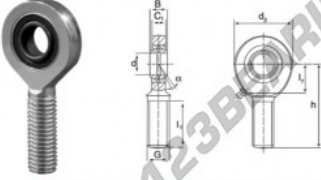
Bad end body: surface zinc plated

Sliding combination: steel / steel

Inner ring: bearing steel, hardened, ground and phosphated

Outer ring: bearing steel, hardened, ground and phosphated

Lubrication: lubrication is necessary



order number		measurement [mm]					
right hand thread	left hand thread	d	G	B	C ₁	d ₂	
SAL 6 E		6	M 6	6	4,4	21	

type	measurement [mm]				load rating	weight
	l ₁ min	l ₂	h	n [°]	C ₀ [kN]	[kg]
SA / SAL 6 E	18	11	36	13	8,2	0,017

CARACTERÍSTICAS DEL PRODUCTO

Marca	DURBAL
Nº Ean13	3663952497877
Diámetro interior	6 mm
Diámetro exterior	21 mm
Espesor	6 mm
Tipo	SA
Peso	17 g
Hilo	Rosca izquierda
Lubricación	con
Envasado	1

contacto@123rodamiento.es

911 436 830

CRT4 de Lesquin 60 Rue Du Haut De Sainghin 59273 Fretin FRANCE