

Rotulas SA SA10-E-DURBAL - SA10-E-DURBAL

<https://www.123rodamiento.es/rodamiento-cojinete/rotulas/sa/sa10-e-durbal>

SA10-E



male thread: lubrication is necessary, according to DIN ISO 12240-4, series E

Description: DIN ISO rod end E series. Made of spherical plain bearing DGE...E (ES) pressed into rod end body. Sliding combination steel / steel. Maintenance necessary. Bore diameter $d \geq 15$ with grease nipple in rod end body and lubrication groove and hole in inner and outer ring. Bore diameter $d \geq 15$ type DSA...ES-2RS with additional seals also available.

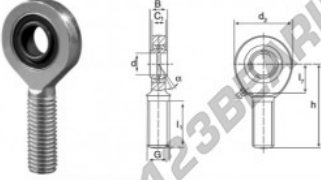
Ball end body: surface zinc plated

Sliding combination: steel / steel

Inner ring: bearing steel, hardened, ground and phosphated

Outer ring: bearing steel, hardened, ground and phosphated

Lubrication: lubrication is necessary



order number		measurement [mm]				
right hand thread	left hand thread	d	G	B	C ₁	d ₂
SA 10 E		10	M 10	9	7,0	29

type	measurement [mm]				load rating	weight
	l ₁ min	l ₂	h	n [°]	C ₀ [kN]	[kg]
SA / SA 10 E	26	15	48	12	17,6	0,051

CARACTERÍSTICAS DEL PRODUCTO

Marca	DURBAL
N° Ean13	3663952497945
Diámetro interior	10 mm
Diámetro exterior	29 mm
Espesor	9 mm
Tipo	SA
Peso	51 g
Hilo	Rosca derecha
Lubricación	con
Envasado	1

contacto@123rodamiento.es

911 436 830

CRT4 de Lesquin 60 Rue Du Haut De Sainghin 59273 Fretin FRANCE