

# Rotulas SA

## SA15-ES-2RS-DURBAL - SA15-ES-2RS-DURBAL

<https://www.123rodamiento.es/rodamiento-cojinete/rotulas/sa/sa15-es-2rs-durbal>

### SA15-ES-2RS



**male thread:**  
lubrication is necessary, according to DIN ISO 12240-4, series E

**Description:** DIN ISO rod end E series. Made of spherical plain bearing DGE...E (ES) pressed into rod end body. Sliding combination steel / steel. Maintenance necessary. Bore diameter  $d \geq 15$  with grease nipple in rod end body and lubrication groove and hole in inner and outer ring. Bore diameter  $d \geq 15$  type DSA...ES-2RS with additional seals also available.

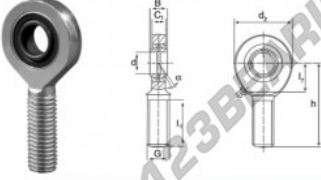
**Bad end body:**  
surface zinc plated

**Sliding combination:**  
steel / steel

**Inner ring:**  
bearing steel, hardened, ground and phosphated

**Outer ring:**  
bearing steel, hardened, ground and phosphated

**Lubrication:**  
lubrication is necessary



order number		measurement [mm]				
right hand thread	left hand thread	d	G	B	C <sub>1</sub>	d <sub>2</sub>
SA 15 ES (-2RS)		15	M 14	12	10,0	40

type	measurement [mm]				n [°]	load rating C <sub>0</sub> [kN]	weight [kg]
	l <sub>1</sub> min	l <sub>2</sub>	h				
SA / SAL 15 ES (-2RS)	34	20	63		8	36,0	0,140

## CARACTERÍSTICAS DEL PRODUCTO

Marca	DURBAL
N° Ean13	3663952498034
Diámetro interior	15 mm
Diámetro exterior	40 mm
Espesor	12 mm
Tipo	-
Peso	140 g
Hilo	-
Lubricación	-
Envasado	-
Estándar	-

[contacto@123rodamiento.es](mailto:contacto@123rodamiento.es)

911 436 830

CRT4 de Lesquin 60 Rue Du Haut De Sainghin 59273 Fretin FRANCE