

Rotulas SA

SA25-ES-2RS-DURBAL - SA25-ES-2RS-DURBAL

<https://www.123rodamiento.es/rodamiento-cojinete/rotulas/sa/sa25-es-2rs-durbal>

SA25-ES-2RS



male thread:
lubrication is necessary, according to DIN ISO 12240-4, series E

Description: DIN ISO rod end E series. Made of spherical plain bearing DGE...E (ES) pressed into rod end body. Sliding combination steel / steel. Maintenance necessary. Bore diameter $d \geq 15$ with grease nipple in rod end body and lubrication groove and hole in inner and outer ring. Bore diameter $d \geq 15$ type DSA...ES-2RS with additional seals also available.

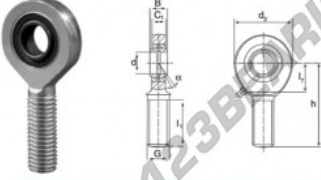
Bad end body:
surface zinc plated

Sliding combination:
steel / steel

Inner ring:
bearing steel, hardened, ground and phosphated

Outer ring:
bearing steel, hardened, ground and phosphated

Lubrication:
lubrication is necessary



order number		measurement [mm]				
right hand thread	left hand thread	d	G	B	C ₁	d ₂
SA 25 ES (-2RS)		25	M 24 x 2	20	17,0	64

type	measurement [mm]				n [°]	load rating C ₀ [kN]	weight [kg]
	l ₁ min	l ₂	h				
SA / SAL 25 ES (-2RS)	53	32	94		7	83,0	0,560

CARACTERÍSTICAS DEL PRODUCTO

Marca	DURBAL
Nº Ean13	3663952498300
Diámetro interior	25 mm
Diámetro exterior	64 mm
Espesor	20 mm
Tipo	SA
Peso	560 g
Hilo	Rosca derecha
Lubricación	con
Envasado	1

contacto@123rodamiento.es

911 436 830

CRT4 de Lesquin 60 Rue Du Haut De Sainghin 59273 Fretin FRANCE