

## Rotulas SA SA80-ES-DURBAL - SA80-ES-DURBAL

<https://www.123rodamiento.es/rodamiento-cojinete/rotulas/sa/sa80-es-durbal>

### SA80-ES



**male thread:**  
lubrication  
is necessary,  
according to  
DIN ISO 12240-4,  
series E

**Description:** DIN ISO rod end E series. Made of spherical plain bearing DGE...E (ES) pressed into rod end body. Sliding combination steel / steel. Maintenance necessary. Bore diameter  $d \geq 15$  with grease nipple in rod end body and lubrication groove and hole in inner and outer ring. Bore diameter  $d \geq 15$  type DSA...ES-2RS with additional seals also available.

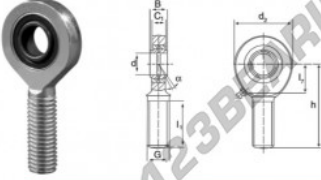
**Ball end body:**  
surface zinc plated

**Sliding combination:**  
steel / steel

**Inner ring:**  
bearing steel, hardened, ground and phosphated

**Outer ring:**  
bearing steel, hardened, ground and phosphated

**Lubrication:**  
lubrication is necessary



order number		measurement [mm]				
right hand thread	left hand thread	d	G	B	C <sub>1</sub>	d <sub>2</sub>
SA 80 ES		80	M 64 x 4	55	47,0	180

type	measurement [mm]				n [°]	load rating C <sub>0</sub> [kN]	weight [kg]
	l <sub>1</sub> min	l <sub>2</sub>	h				
SA / SAL 80 ES	140	90	270		6	750,0	12,000

## CARACTERÍSTICAS DEL PRODUCTO

Marca	DURBAL
N° Ean13	3663952498942
Diámetro interior	80 mm
Diámetro exterior	180 mm
Espesor	55 mm
Tipo	SA
Peso	12000 g
Hilo	Rosca derecha
Lubricación	con
Envasado	1

[contacto@123rodamiento.es](mailto:contacto@123rodamiento.es)

911 436 830

CRT4 de Lesquin 60 Rue Du Haut De Sainghin 59273 Fretin FRANCE