


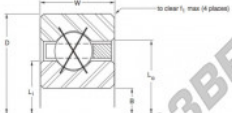
Rodamiento de bolas una hilera PC090-XP0-RBC - PC090-XP0-RBC

<https://www.123rodamiento.es/rodamiento-cojinete/rodamiento-bola/una-hilera/pc090-xp0-rbc>

4-POINT CONTACT, X-TYPE
THIN SECTION BALL BEARINGS



- 17-4PH Steel with Ceramic Balls
- Large Diameter
- Light Weight
- Small Cross Section
- Snap-Over Ball Separator



Series: **PC**

Cross Section Size: **3/8"**

P	
Material Type	Rings 17-4 PH Balls SC84
Typical Inference	NSDC
Corrosion Resistance Material	Very Good
Fatigue Resistance	Poor
Friction Resistance	Poor
Permeative	May be supplied with or without permeative

PART NUMBER	B Bore	D Outside Diameter	NOMINAL DIMENSIONS				F Housing Fillet	Ball Diameter
			W Width	L1 Inner Ring	L2 Outer Ring			
PC090XP0-RBC	0.000 258.000	0.7000 247.000	0.2700 6.925	0.200 5.079	0.460 14.610	0.040 1.016	0.375	

PART NUMBER	Ball Quantity	Approx. Weight	LOAD RATINGS						Limiting Speed (RPM)
			Radial		Tangential		Moment		
			Static	Dynamic	Static	Dynamic	Static	Dynamic	
PC090XP0-RBC	15	0.04 0.440	4.010 10.780	2.200 6.000	11.070 30.700	5.800 16.470	27.100 7.500	7.800 400	1.200

CARACTERÍSTICAS DEL PRODUCTO

Marca	RBC
Nº Ean13	3663952546292
Diámetro interior	228.6 mm
Diámetro exterior	247.65 mm
Espesor	9.525 mm
Peso	426 g
Envasado	1

contacto@123rodamiento.es

911 436 830

CRT4 de Lesquin 60 Rue Du Haut De Sainghin 59273 Fretin FRANCE