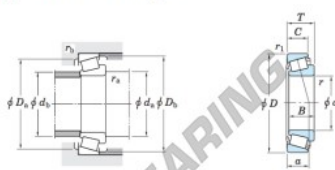


Rodamiento conico 568-563-JTEKT - 568-563-JTEKT

<https://www.123rodamiento.es/rodamiento-cojinete/rodamiento-rodillos/conico/568-563-jtekt>

Single-row tapered roller bearings
inch series Koyo



Boundary dimensions (mm)							Basic load ratings (kN)			Limiting speeds (min ⁻¹)	
d	D	T	B	C	r_a	r_b	C_r	C_{10}	Grease lub. Oil lub.		
73.817	127.000	36.512	36.170	28.575	0.8	3.2	156	226	3 000	4 000	

Bearing No.		Load center (mm) a	Mounting dimensions (mm)						Constant e	Axial load factors		(Refer.) Mass (kg)	
Inner ring	Outer ring		d_a	d_b	D_a	D_b	r_a max.	r_b max.		Y_1	Y_2	Inner ring	Outer ring
568	563	28.6	83.0	82.0	112.0	120.0	0.8	3.2	0.36	1.65	0.91	1.12	0.648

CARACTERÍSTICAS DEL PRODUCTO

Marca	JTEKT
N° Ean13	3663952429014
Diámetro interior	73.817 mm
Diámetro exterior	127 mm
Espesor	36.512 mm
Envasado	1

contacto@123rodamiento.es

911 436 830

CRT4 de Lesquin 60 Rue Du Haut De Sainghin 59273 Fretin FRANCE