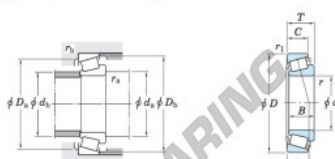


Rodamiento conico 661-653-JTEKT - 661-653-JTEKT

<https://www.123rodamiento.es/rodamiento-cojinete/rodamiento-rodillos/conico/661-653-jtekt>

Single-row tapered roller bearings
inch series



Koyo

Boundary dimensions (mm)							Basic load ratings (kN)		Limiting speeds (min ⁻¹)	
d	D	T	B	C	r_a	r_b	C_r	C_{10}	Grease lub.	Oil lub.
79.375	146.050	41.275	41.275	31.760	3.6	3.2	208	301	2 600	3 400

Bearing No.		Load center (mm) a	Mounting dimensions (mm)						Constant e	Axial load factors		(Refer.) Mass (kg)	
Inner ring	Outer ring		d_a	d_b	D_a	D_b	r_a max.	r_b max.		Y_1	Y_2	Inner ring	Outer ring
661	653	33.4	96.0	90.0	131.0	139.0	3.6	3.2	0.41	1.47	0.61	2.04	0.880

CARACTERÍSTICAS DEL PRODUCTO

Marca	JTEKT
N° Ean13	3663952429250
Diámetro interior	79.375 mm
Diámetro exterior	146.05 mm
Espesor	41.275 mm
Envasado	1

contacto@123rodamiento.es

911 436 830

CRT4 de Lesquin 60 Rue Du Haut De Sainghin 59273 Fretin FRANCE